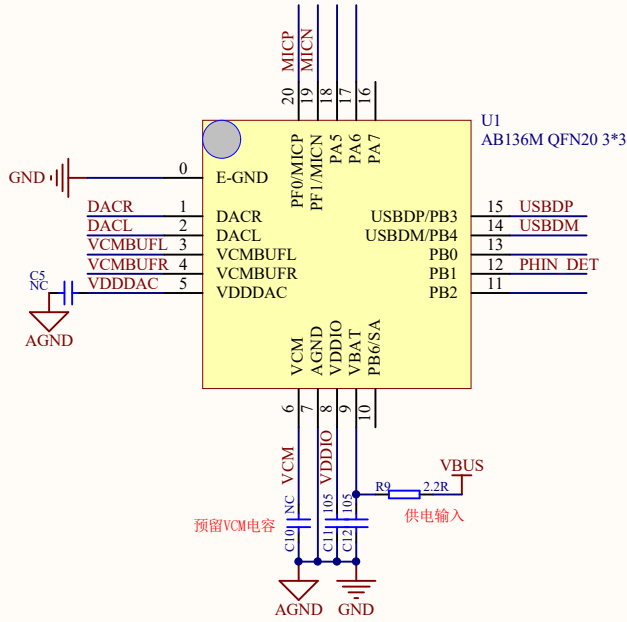
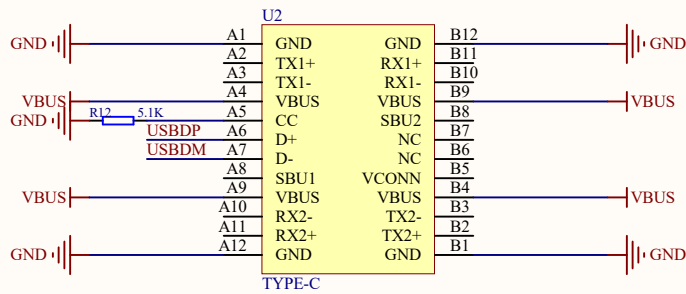


PIN FUNCTION			
	ADC	USB	update
PA5			
PA6			
PA7	ADCO		
PB0			
PB1	ADC1		
PB2	ADC2		
PB3		USBDP TX0-G4/HSTRX-G7	
PB4		USBDM	
PB6	ADC3		
PF0/MICP	ADC4		
PF1/MICN			
DACL	ADC7		
DACR	ADC8		
VCMBUFL	ADC9		
VCMBUFR	ADC10		
VBAT	ADC14		

定义:
 Left -> DACL
 Right -> DACR
 MIC OR GND(PJ3) -> VCMBUFL / PF0_MICP
 GND OR MIC(PJ4) -> VCMBUFR / PF1_MICN



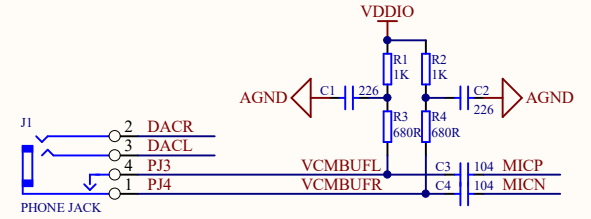
AB136M QFN20 TYPE-C转接头OMTP CTIA V0.2



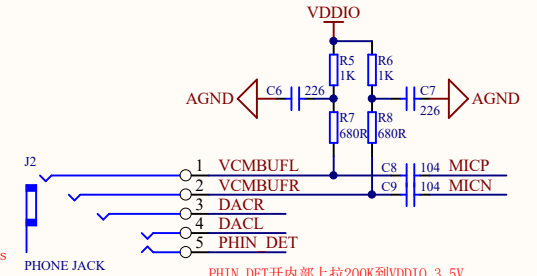
TYPE-C Connector

4pin PHONE JACK

OMTP: 2 Right (PJ2)
 L/R/MIC/GND 3 Left (PJ1)
 CTIA: 4 MIC OR GND (PJ3)
 L/R/GND/MIC 1 GND OR MIC (PJ4)



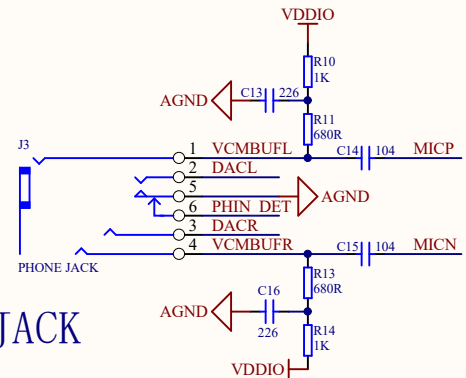
OMTP: 1 GND OR MIC (PJ4)
 L/R/MIC/GND 2 MIC OR GND (PJ3)
 CTIA: 3 Right (PJ2)
 L/R/GND/MIC 4 Left (PJ1)
 5 Switch Open-always



5pin PHONE JACK

PHIN_DET开内部上拉200K到VDDIO 3.5V
 DACL处于开启工作状态, 1.0V
 PHIN_DET使用ADC检测, 1.0V为插入状态, 3.5V为拔出状态

OMTP: 1 GND OR MIC (PJ4)
 L/R/MIC/GND 2 Left (PJ1)
 CTIA: 5 insulation
 L/R/GND/MIC 3 Right (PJ2)
 4 MIC OR GND (PJ3)



6pin PHONE JACK

pin5/pin6 独立
 PCB把PIN5接地, PHIN_DET开上拉检测
 插入会被拉低状态
 拔出为高状态